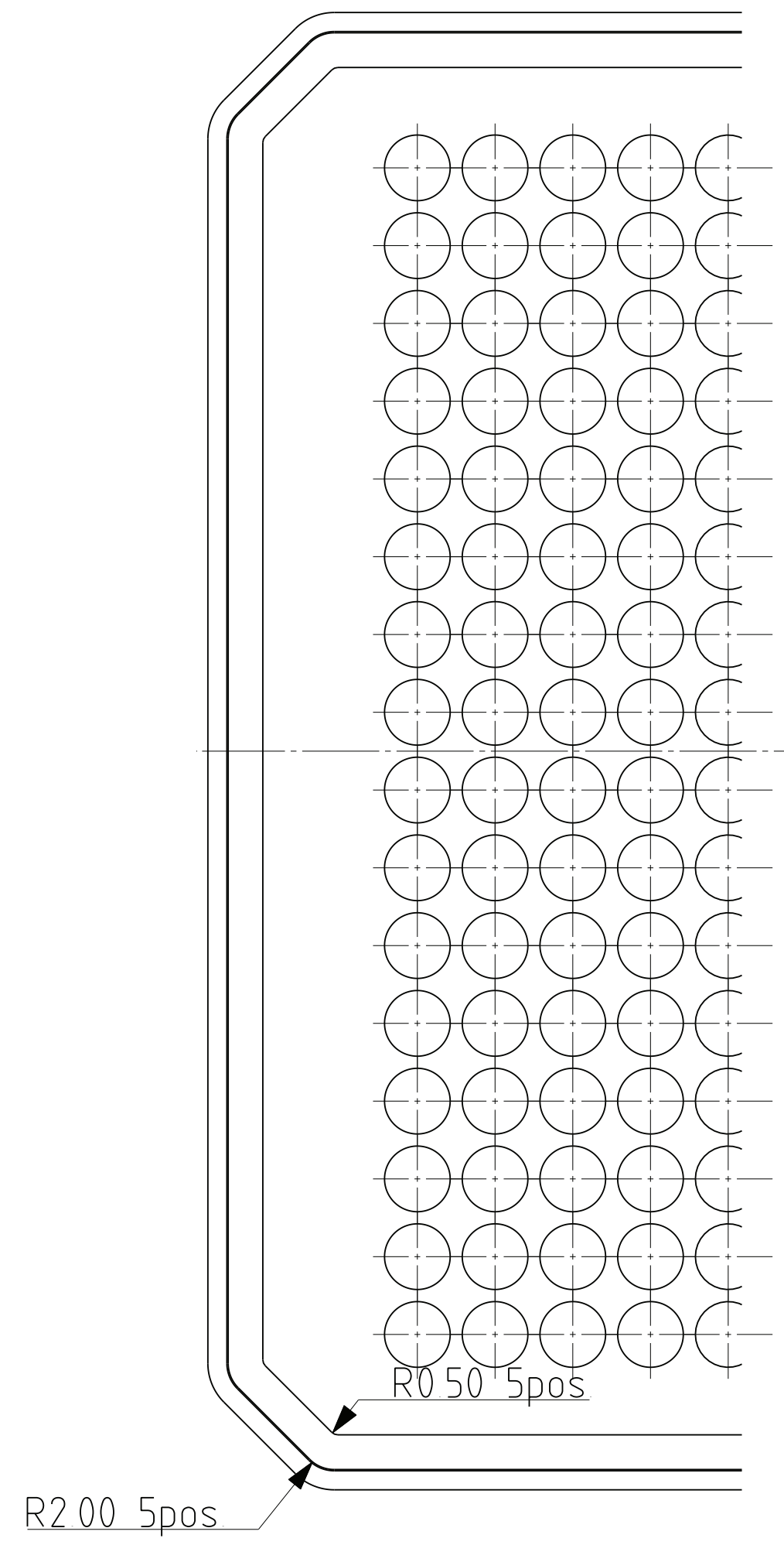
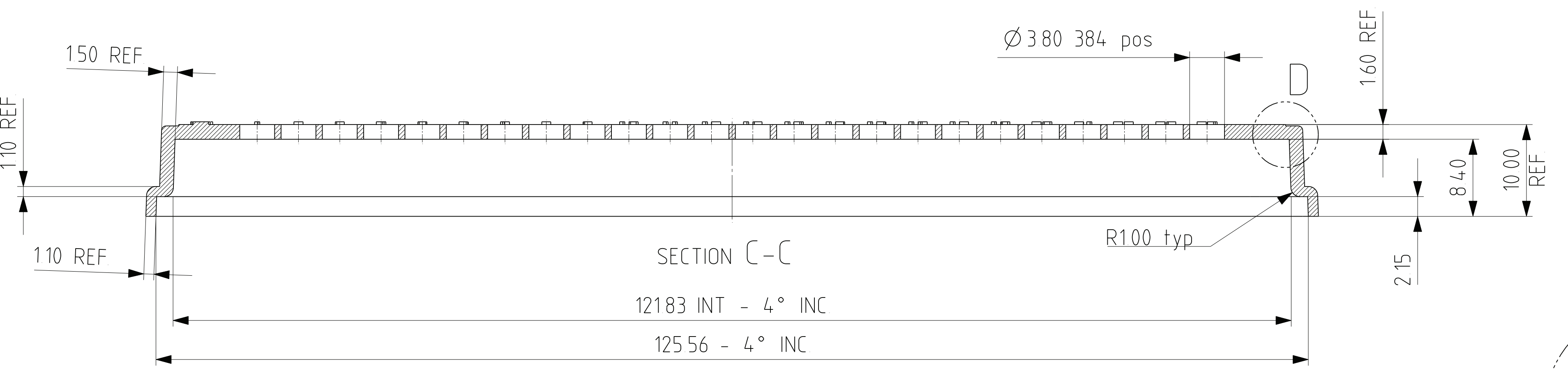


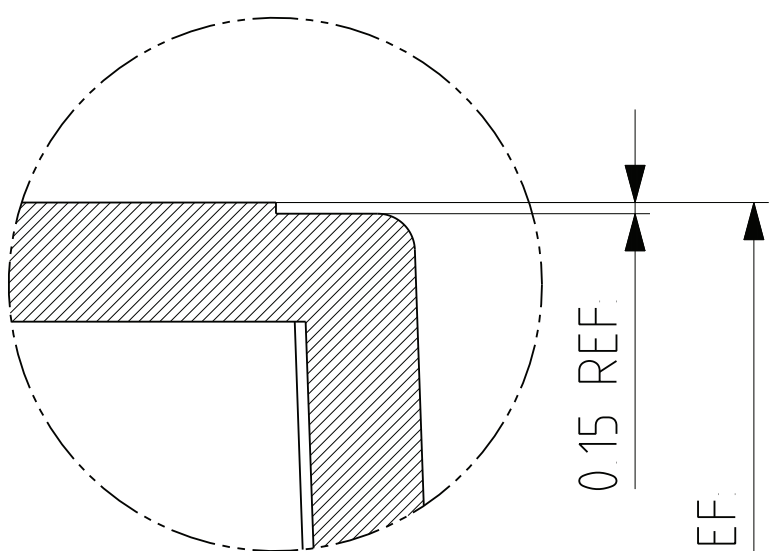
SECTION B-B



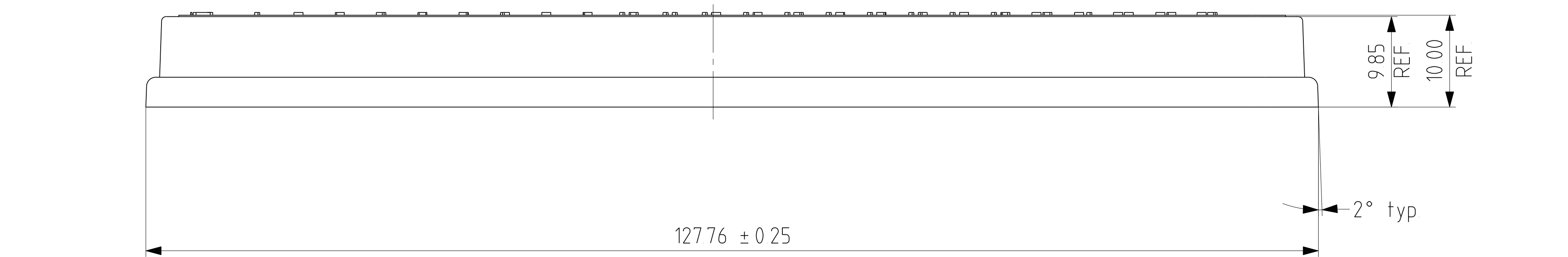
PART VIEW ON ARROW "A"



SECTION C-C

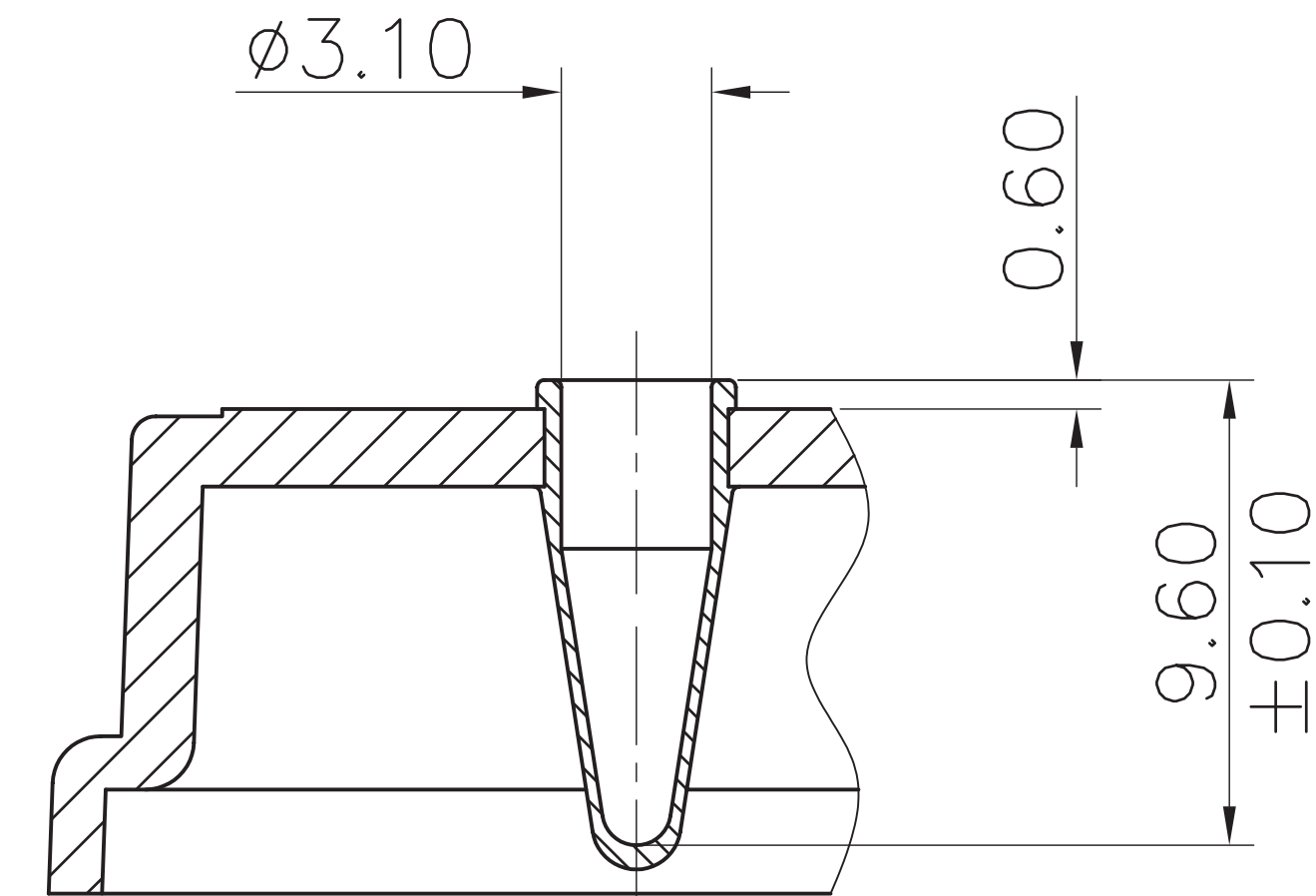


DETAIL D SCALE 10:1



NOTE

- 1, SURFACE FINISH TO BE SMOOTH HIGH GLOSS - POLISHED ON TOOL
- 2, SIDE WALL BOWING ALLOWED INWARDS ONLY UP TO A MAXIMUM 0.25



VIAL FORM 384pos