

Release Note – New Product

09.11.2016

NucleoSpin® 96 DNA Plasma

1. Summary

MACHERY-NAGEL has released a new product for the high-throughput isolation of cell-free DNA (cfDNA) from human blood plasma samples: **NucleoSpin® 96 DNA Plasma**.

The **NucleoSpin® 96 DNA Plasma** enables the purification of cell-free DNA from plasma volumes up to 2 mL. The kit contains the established NucleoSpin® 96 plate format that allows for the manual or automated processing of 96 samples in parallel. Binding, washing, drying and elution of cfDNA are performed by vacuum. No carrier-RNA is required for cfDNA isolation, enabling reliable cfDNA analyses.

2. Features

- Optimized protocol for Cell-Free DNA BCT® (Streck) preserved samples
- Processing of 96 samples in parallel
- Superior recovery of fragmented cfDNA

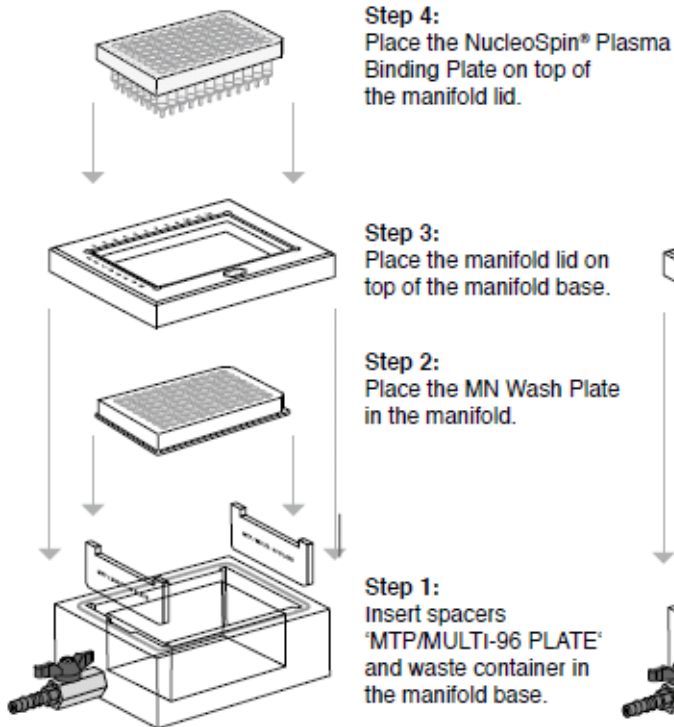
3. Specifications

Parameter	
Technology	Silica-membrane technology
Format	96-well plates
Sample material	0.5–2 mL plasma
Blood draw tubes	EDTA, Cell-Free DNA BCT® (Streck)
Fragment size	≥ 50 bp
Typical yield	Depending on sample source, storage, and quality
Elution volume	100 µL (70 µL final eluate volume)
Preparation time	~ 90 min/96 preps (EDTA plasma)

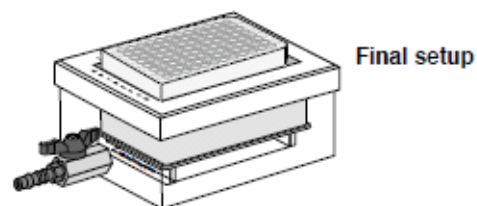
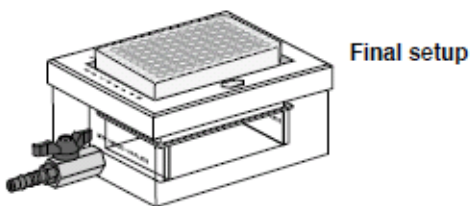
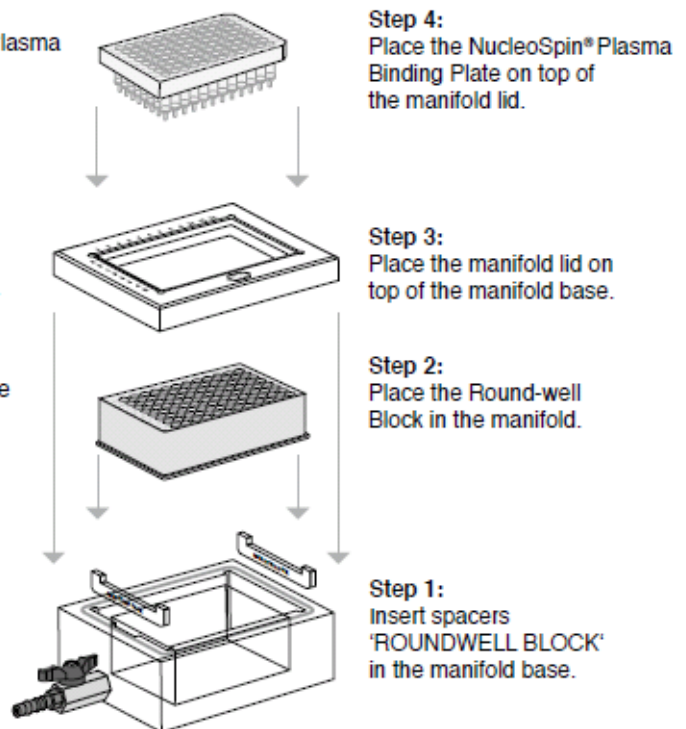


4. Procedure

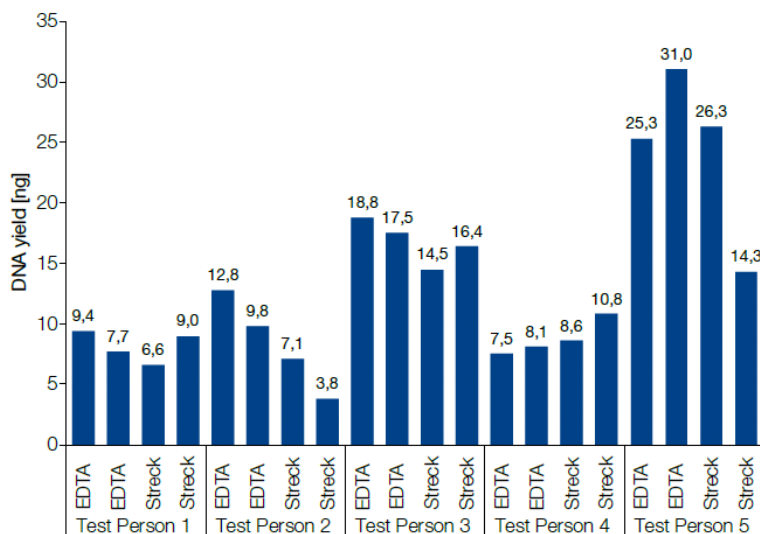
Binding / Washing steps



Elution step



5. Application data



Efficient isolation of cfDNA from 2 mL plasma in 96-well format

Comparison of the cfDNA yield from 2 mL plasma samples from different individuals and different blood draw tubes. The results show that the NucleoSpin® 96 DNA Plasma kit enables the successful isolation of cfDNA from commonly used blood collection tubes. DNA was quantified by qPCR (Quantifiler® Human DNA Quantification Kit, Thermo Fisher Scientific).

6. Ordering information

Product	Pack of	REF	Price
NucleoSpin® 96 DNA Plasma	1x96	740873.1	498,- €*
NucleoSpin® 96 DNA Plasma	4x96	740873.4	1.309,- €*
NucleoSpin® 96 DNA Plasma Core Kit	1x96	740874.1	340,- €*
NucleoSpin® 96 DNA Plasma Core Kit	4x96	740874.4	1.119,- €*

* Prices refer to the German MN Bioanalysis price list 2016.

Sample kit

We do not offer a special sample size for the NucleoSpin® 96 DNA Plasma kit. For first-time users we recommend 740873.1. Please request trial offers from your Area Sales Manager.

Storage conditions / shelf time

RT (22 °C), dark; 12 months at MN distributor warehouse, 12 month durability at the customers site.

Shipment

The product contains hazardous material, following transportation regulations apply:

REF 740873.1 and 740874.1

__ UN 1993 Flammable liquid, n.o.s.
 (ethanol, 2-propanol mixture) 3 III 0.600 L
 ADR/GGVSEB F1 (E) LQ
 PAX 355 60 L CAO 366 220 L Q: 0.010 / 0.003

www.mn-net.com



MACHEREY-NAGEL GmbH & Co. KG · Neumann-Neander-Str. 6–8 · 52355 Düren · Germany

DE and international:

Tel.: +49 24 21 969-0

Fax: +49 24 21 969-199

E-mail: info@mn-net.com

CH:

Tel.: +41 62 388 55 00

Fax: +41 62 388 55 05

E-mail: sales-ch@mn-net.com

FR:

Tel.: +33 388 68 22 68

Fax: +33 388 51 76 88

E-mail: sales-fr@mn-net.com

US:

Tel.: +1 484 821 0984

Fax: +1 484 821 1272

E-mail: sales-us@mn-net.com

REF 740873.4 and 740874.4

__UN 1993 Flammable liquid, n.o.s.
(ethanol, 2-propanol mixture) 3 III 2.500 L
ADR/GGVSEB F1 (E) LQ
PAX 355 60 L CAO 366 220 L Q: 0.042 / 0.012

7. Contact person

Dr. Leonie Kokkelink
Product Manager - Bioanalysis
Tel.: ++49 (0) 2421-969-275
Fax: ++49 (0) 2421-969-199
Email: LKokkelink@mn-net.com
www.mn-net.com

www.mn-net.com



MACHEREY-NAGEL GmbH & Co. KG · Neumann-Neander-Str. 6-8 · 52355 Düren · Germany

DE and international:

Tel.: +49 24 21 969-0

Fax: +49 24 21 969-199

E-mail: info@mn-net.com

CH:

Tel.: +41 62 388 55 00

Fax: +41 62 388 55 05

E-mail: sales-ch@mn-net.com

FR:

Tel.: +33 388 68 22 68

Fax: +33 388 51 76 88

E-mail: sales-fr@mn-net.com

US:

Tel.: +1 484 821 0984

Fax: +1 484 821 1272

E-mail: sales-us@mn-net.com